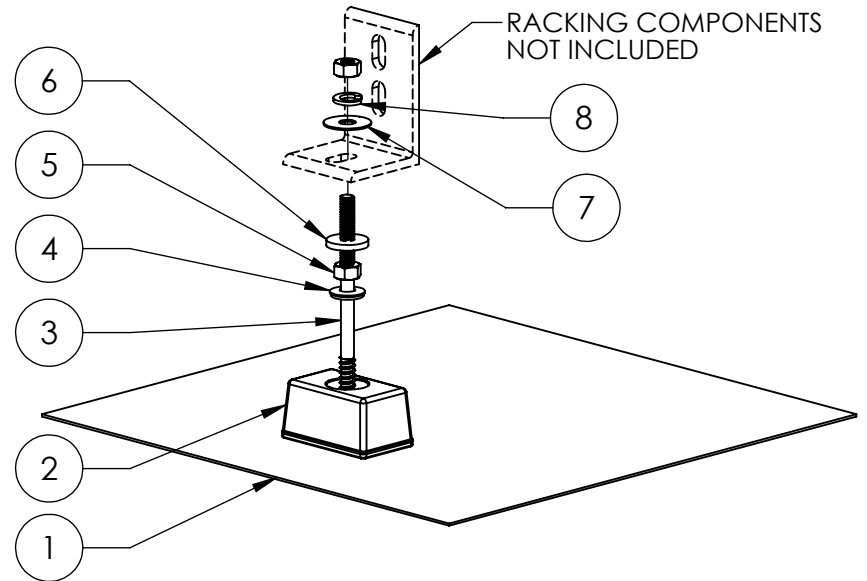


1 EXTENDED HANGER BOLT IS 1/2" LONGER ABOVE TOP OF BLOCK THAN STANDARD HANGER BOLT.

AVAILABLE IN MILL, CLEAR ANODIZED, AND BRONZE ANODIZED FINISHES.



ITEM NO.	DESCRIPTION	QTY.
1	FLASHING, 12" X 12" X .050", 5052, MILL	1
2	QBLOCK, CLASSIC, A360 CAST AL, MILL	1
3	HANGER BOLT, 5/16" x 6-1/2", 1-3/4"MT, 3"LT, 18-8 SS	1
6	WASHER, FLAT, 19/64" ID x 7/8" OD x 1/8" EPDM	1
4	WASHER, SEALING, 5/16" ID X 3/4" OD, EPDM BONDED SS	1
5	NUT, HEX, 5/16-18, UNC-2B, 18-8 SS	2
7	WASHER, FENDER, 5/16" ID X 1" OD, 18-8 SS	1
8	WASHER, SPLIT-LOCK, 5/16" ID, 18-8 SS	1

Quick Mount PV[®]

TITLE:
**QMSC-EHB: CLASSIC COMPOSITION
 MOUNT WITH EXTENDED HANGER
 BOLT**

UNLESS OTHERWISE SPECIFIED:
 DIMENSIONS ARE IN INCHES
 TOLERANCES:
 FRACTIONAL ± 1/8
 TWO PLACE DECIMAL ±.18
 THREE PLACE DECIMAL ±.125

SIZE A	DRAWN BY: RAD	REV 5
SCALE: 1:4	DATE: 12/14/2015	WEIGHT: 1.20
SHEET 1 OF 1		