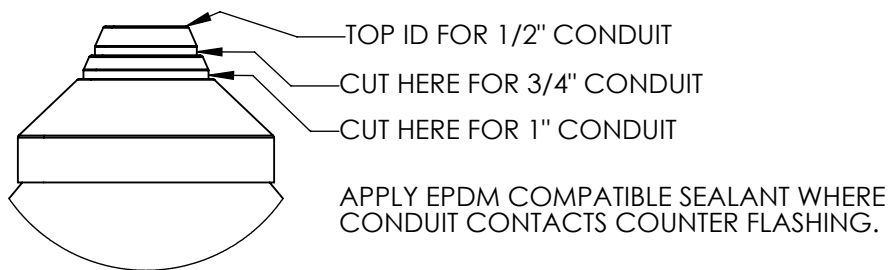
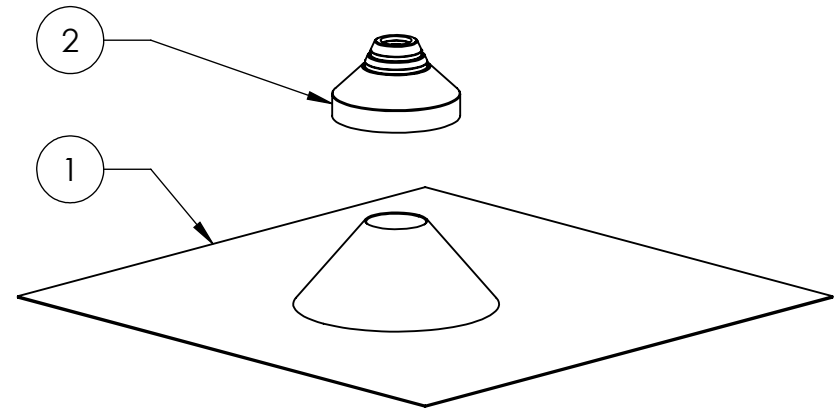


DETAIL A
SCALE 1 : 2



| ITEM NO. | DESCRIPTION | QTY. |
|----------|--|------|
| 1 | FLASHING, SPUN CONE, 12" X 12" X .032", 3003 AL, MILL | 1 |
| 2 | COUNTER FLASHING, CONDUIT, 1/2", 3/4", 1", EPDM RUBBER | 1 |

AVAILABLE IN MILL, CLEAR ANODIZE, AND BRONZE ANODIZE FINISHES.

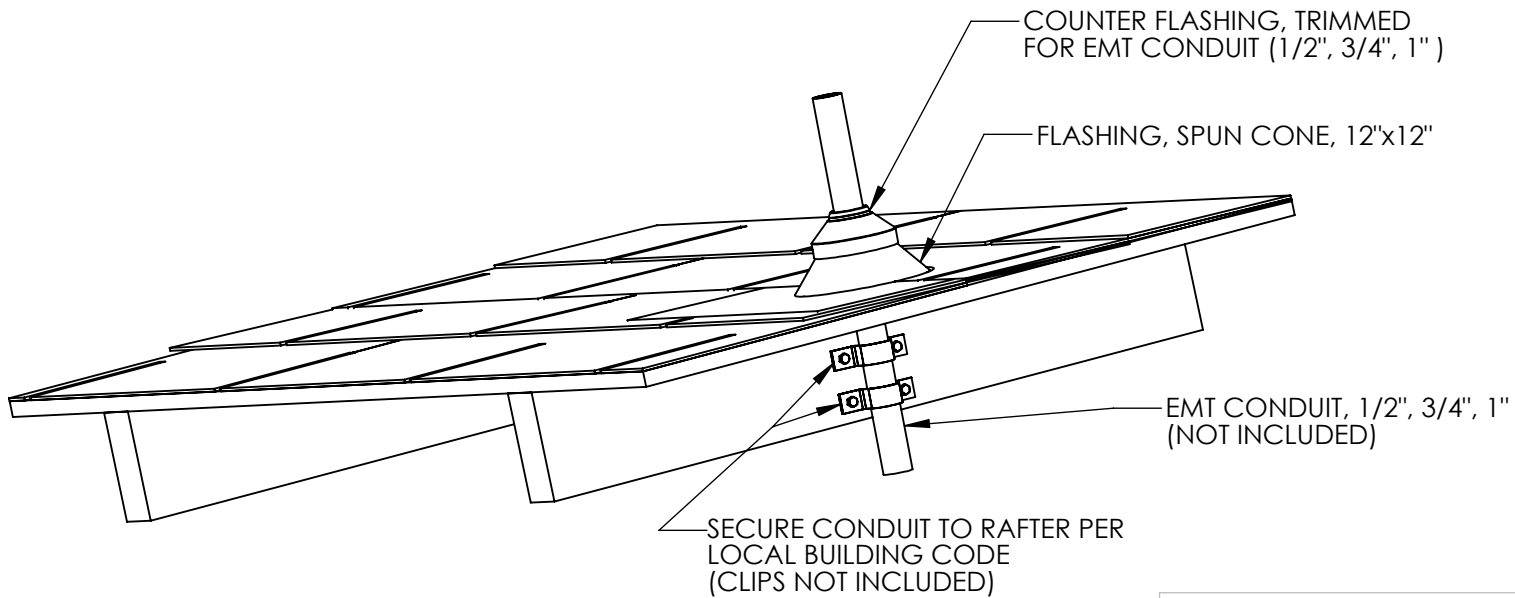
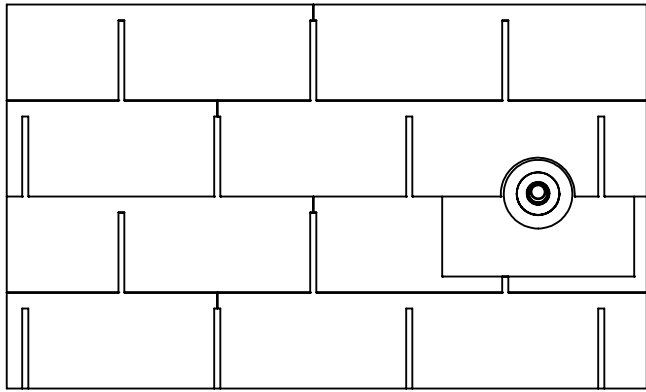


Quick Mount PV[®]

TITLE:
QMCP: CONDUIT PENETRATION FLASHING, COMP

| | | | |
|---|------------------|-----------------|-----------------|
| UNLESS OTHERWISE SPECIFIED: DIMENSIONS ARE IN INCHES TOLERANCES: FRACTIONAL ± 1/8 TWO PLACE DECIMAL ±.18 THREE PLACE DECIMAL ±.125 | SIZE A | DRAWN BY: RAD | REV 3 |
| | SCALE: 1:4 | DATE: 2/12/2015 | WEIGHT: 0.53 |

SHEET 1 OF 2



Quick Mount PV[®]

TITLE:
**QMCPC-CONDUIT PENETRATION
 FLASHING-COMP**

| | | | |
|---|------------|-----------------|----------|
| UNLESS OTHERWISE SPECIFIED: DIMENSIONS ARE IN INCHES TOLERANCES: FRACTIONAL $\pm 1/8$ TWO PLACE DECIMAL $\pm .18$ THREE PLACE DECIMAL $\pm .125$ | SIZE | DRAWN BY: RAD | REV |
| | A | DATE: 2/12/2015 | 3 |
| SCALE: 1:4 | WEIGHT: NA | SHEET 2 OF 2 | |

PROPRIETARY AND CONFIDENTIAL
 THE INFORMATION CONTAINED IN THIS DRAWING IS THE SOLE PROPERTY OF QUICK MOUNT PV. ANY REPRODUCTION IN PART OR AS A WHOLE WITHOUT THE WRITTEN PERMISSION OF QUICK MOUNT PV IS PROHIBITED.

DO NOT SCALE DRAWING