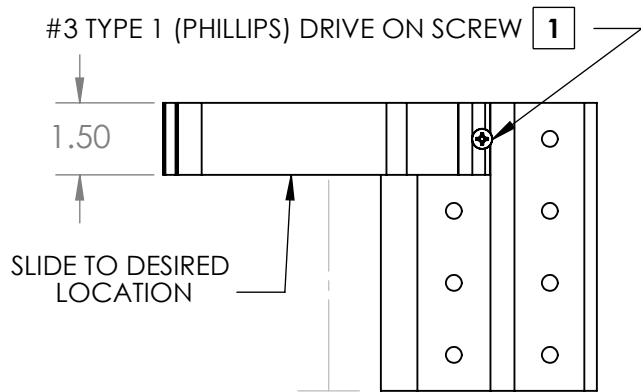
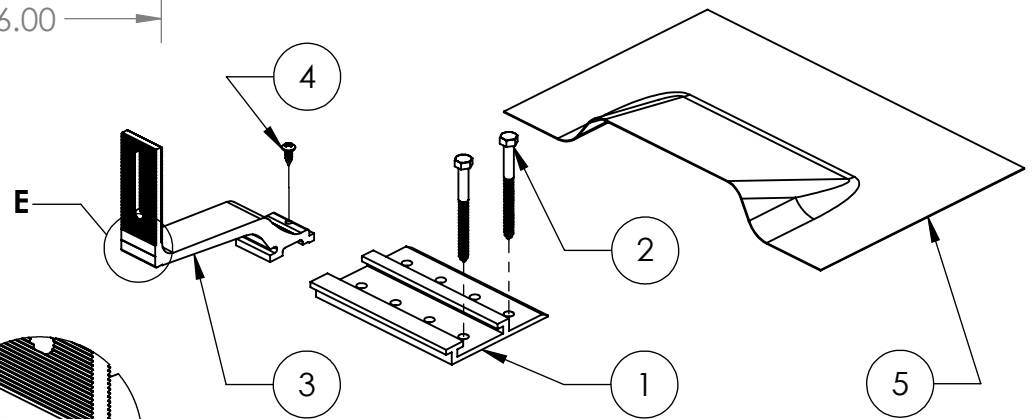


DIMENSION	QMHS	QMHL
A	6.57	6.30
B	2.21	1.93
C	1.89	1.60
D	6.27	6.00



IDENTIFYING MARK ON QMHLS ONLY

DETAIL E  
SCALE 1 : 2



ITEM NO.	DESCRIPTION	QTY.
1	BASE PLATE, QUICK HOOK, 6", 6061-T6, MILL	1
2	LAG SCREW, HEX HEAD, 5/16" x 3-1/2", 18-8SS	2
3	QUICK HOOK, STANDARD/LOW HEIGHT, VERTICAL, 1.5", 6061-T6/6005A-T61, MILL	1
4	SCREW, SELF-TAPPING, #12 X 5/8", 18-8SS, MILL	1
5	SUBFLASHING, QUICK HOOK, 6" BASE, 9" X 14" X .032", 3003-0, MILL	1

**1 DO NOT USE IMPACT DRILL ON SCREW**



TITLE:  
**QMHS & QMHL: QUICK HOOK FOR SIDE MOUNTED RAILS**

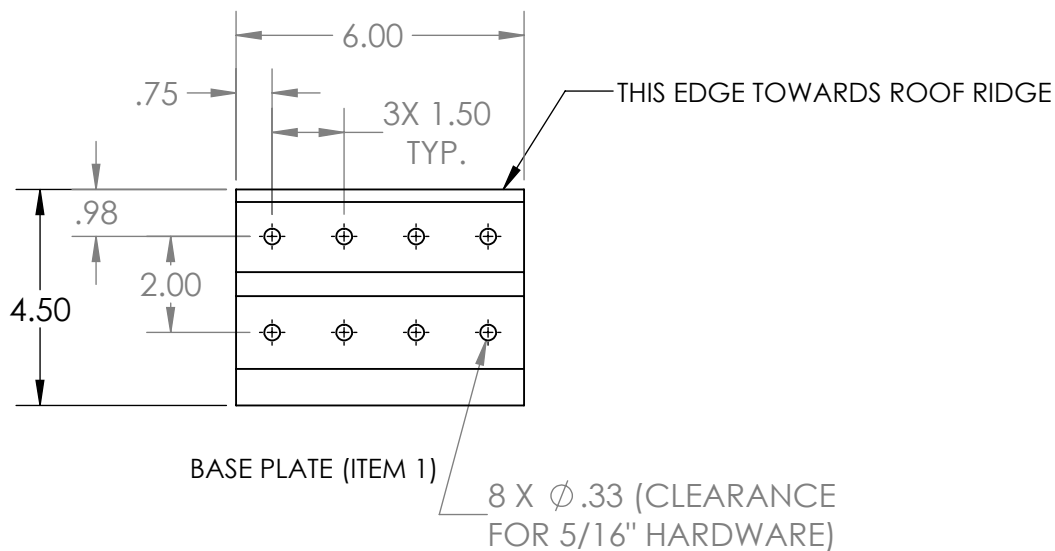
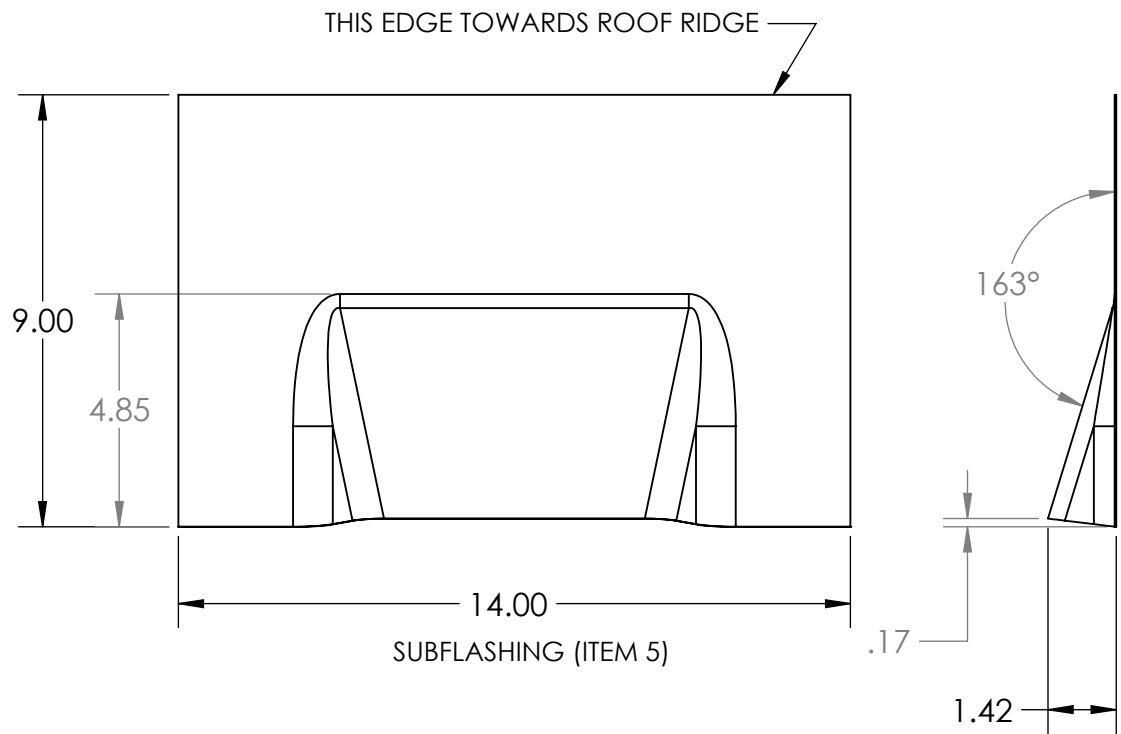
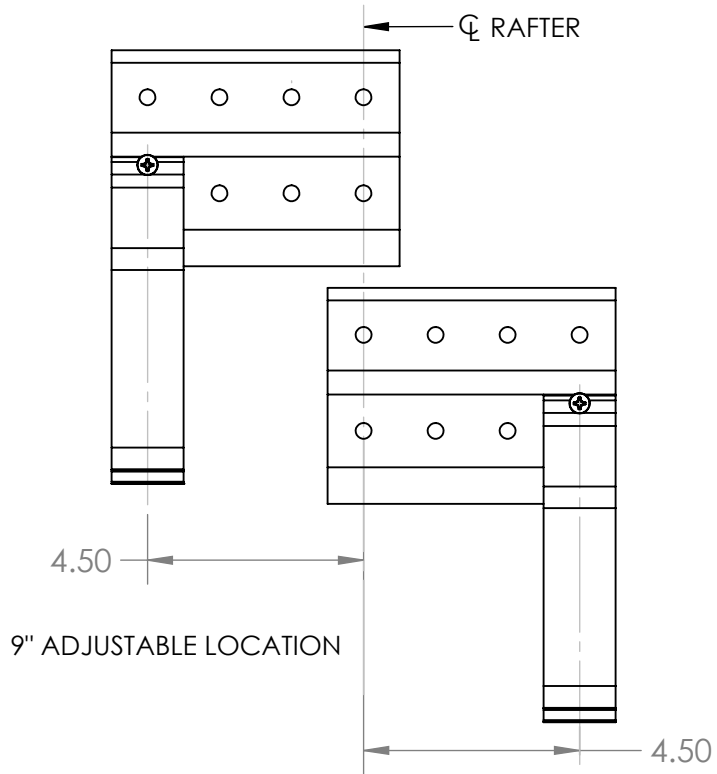
UNLESS OTHERWISE SPECIFIED:

DIMENSIONS ARE IN INCHES  
TOLERANCES:  
FRACTIONAL ± 1/8  
TWO PLACE DECIMAL ± .18  
THREE PLACE DECIMAL ± .125

<b>A</b>	SIZE	DRAWN BY: RAD	REV
	DATE: 1/8/2016		<b>10</b>
SCALE: 1:8	WEIGHT: 1.82	SHEET 1 OF 2	

PROPRIETARY AND CONFIDENTIAL  
THE INFORMATION CONTAINED IN THIS DRAWING IS THE SOLE PROPERTY OF QUICK MOUNT PV. ANY REPRODUCTION IN PART OR AS A WHOLE WITHOUT THE WRITTEN PERMISSION OF QUICK MOUNT PV IS PROHIBITED.

DO NOT SCALE DRAWING



**Quick Mount PV<sup>®</sup>**

TITLE:  
**QMHS & QMHL: QUICK HOOK FOR SIDE MOUNTED RAILS**

UNLESS OTHERWISE SPECIFIED: DIMENSIONS ARE IN INCHES TOLERANCES: FRACTIONAL ± 1/8 TWO PLACE DECIMAL ± .18 THREE PLACE DECIMAL ± .125	SIZE <b>A</b>	DRAWN BY: RAD	REV <b>10</b>
		DATE: 1/8/2016	
	SCALE: 1:4	WEIGHT: 1.82	SHEET 2 OF 2

PROPRIETARY AND CONFIDENTIAL  
 THE INFORMATION CONTAINED IN THIS DRAWING IS THE SOLE PROPERTY OF QUICK MOUNT PV. ANY REPRODUCTION IN PART OR AS A WHOLE WITHOUT THE WRITTEN PERMISSION OF QUICK MOUNT PV IS PROHIBITED.

DO NOT SCALE DRAWING