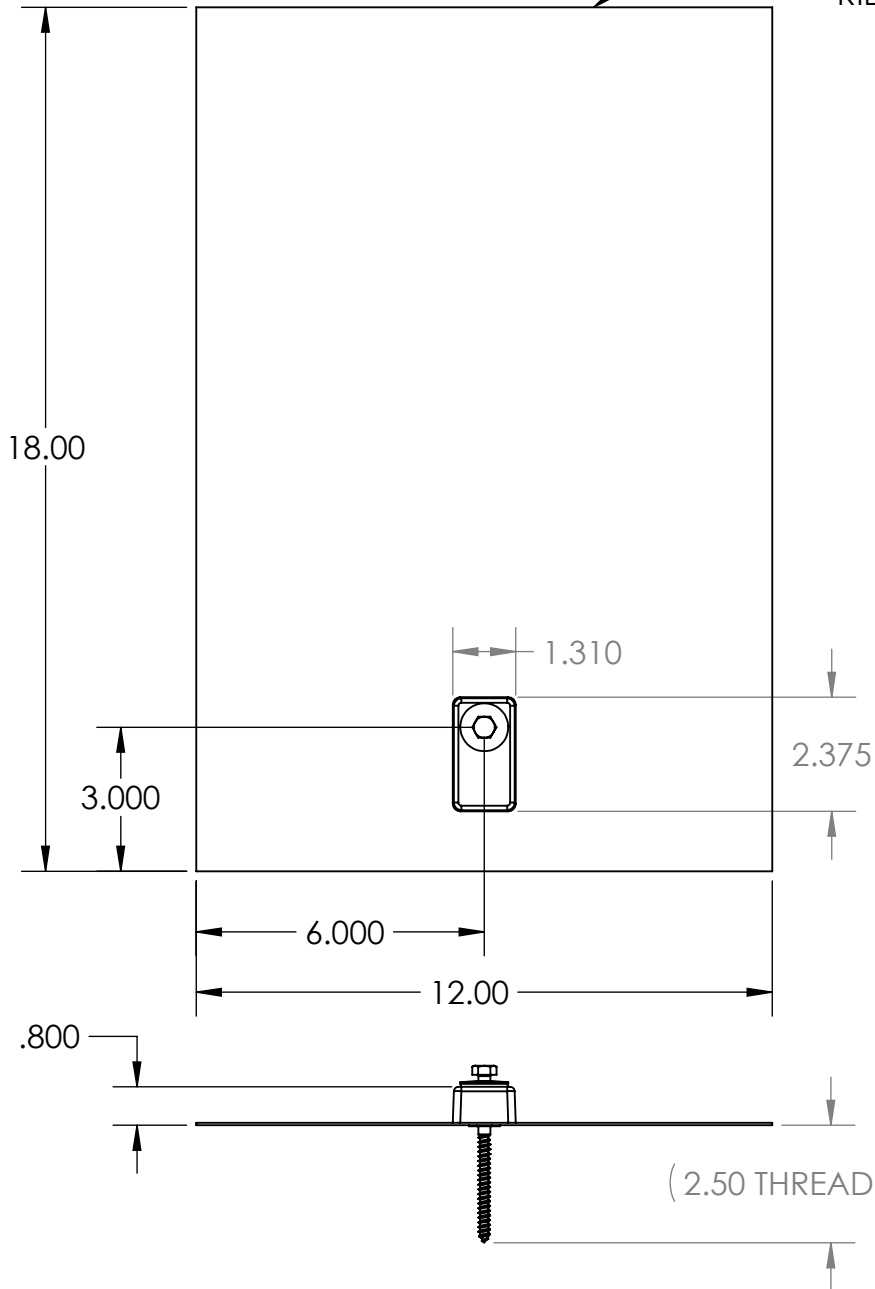
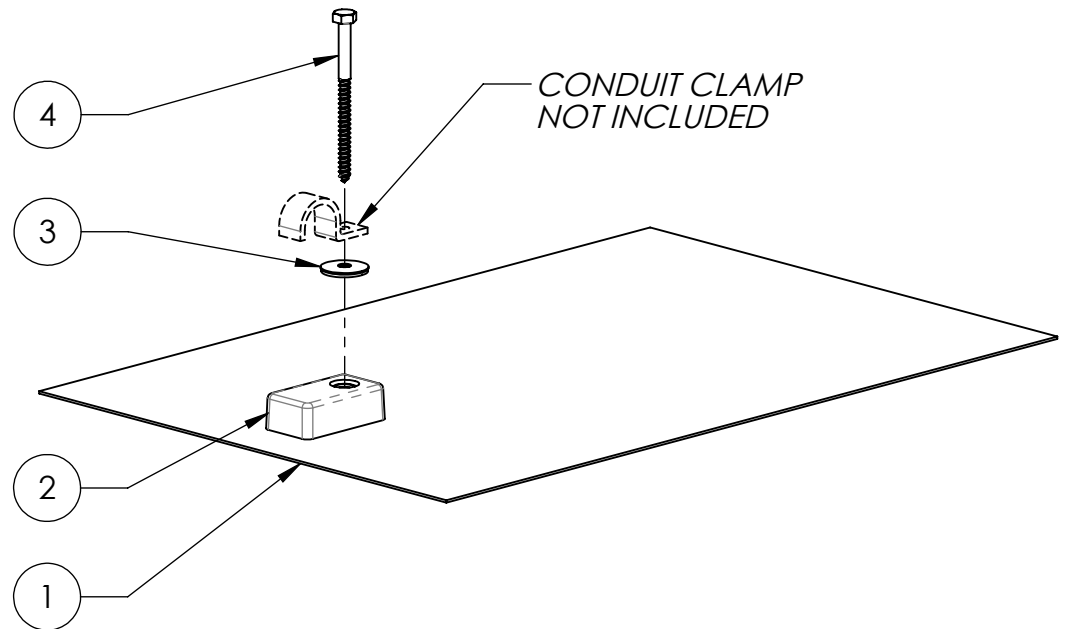


THIS EDGE  
TOWARDS ROOF  
RIDGE



ITEM NO.	DESCRIPTION	QTY.
1	FLASHING, 12" X 18" X .050", 5052, MILL	1
2	QBLOCK, CONDUIT, 5/16", CAST A360 AL, MILL	1
3	WASHER, SEALING, 1/4" ID X 1" OD, EPDM BONDED SS	1
4	LAG SCREW, HEX HEAD, 1/4" x 3-1/2", 18-8 SS	1

AVAILABLE IN MILL FINISH, AND  
BRONZE ANODIZED FINISH



Quick Mount PV<sup>®</sup>

TITLE:

QMLCC: CLASSIC CONDUIT  
SHAKE MOUNT

UNLESS OTHERWISE SPECIFIED:  
DIMENSIONS ARE IN INCHES  
TOLERANCES:  
FRACTIONAL  $\pm 1/8$   
TWO PLACE DECIMAL  $\pm .18$   
THREE PLACE DECIMAL  $\pm .125$

SIZE

**A**

DRAWN BY: RAD

DATE: 5/3/2016

REV

**6**

SCALE: 1:4

WEIGHT: 1.26

SHEET 1 OF 1

PROPRIETARY AND CONFIDENTIAL  
THE INFORMATION CONTAINED IN THIS DRAWING IS THE SOLE PROPERTY OF QUICK MOUNT PV. ANY REPRODUCTION IN PART OR AS A WHOLE WITHOUT THE WRITTEN PERMISSION OF QUICK MOUNT PV IS PROHIBITED.

DO NOT SCALE DRAWING

5

4

3

2

1