

| ITEM NO. | DESCRIPTION | QTY. |
|----------|---|------|
| 1 | CAP SCREW, HEX HEAD, 5/16"-18 X 3/4" UNC-2A, GRADE 8 | 1 |
| 2 | BASE, SPECIALTY FLAT TILE, 5/16", A360.1 CAST AL, MILL | 1 |
| 3 | LAG SCREW, HEX HEAD, 1/4" x 1-1/2", ZINC | 4 |
| 4 | SUB FLASHING, SPECIALTY FLAT TILE, 9.5" X 10" X .032", 3003, MILL | 1 |
| 5 | FLASHING, SPECIALTY FLAT TILE, 1-3/4" CONE, 3003 AL, MILL | 1 |
| 6 | COLLAR, COUNTER FLASHING, 1-1/4" ID EPDM | 1 |
| 7 | POST, 1.25" OD X 5.5", 6063-T5/6063-T6, MILL | 1 |
| 8 | WASHER, SEALING, 5/16" ID X 1-1/4" OD, EPDM BONDED SS | 1 |
| 9 | WASHER, FENDER, 5/16" ID X 1" OD, 18-8 SS | 1 |
| 10 | WASHER, SPLIT-LOCK, 5/16" ID, 18-8 SS | 1 |
| 11 | CAP SCREW, HEX HEAD, 5/16"-18 X 1" UNC-2A, 18-8 SS | 1 |

"Controlled Document
Do Not Copy" SC

POST & TOP FLASHING AVAILABLE IN MILL,
CLEAR ANODIZED, AND BRONZE ANODIZED
FINISHES.

Quick Mount PV[®]

TITLE:

**QMFTM: SPECIALTY FLAT TILE
MOUNT**

UNLESS OTHERWISE SPECIFIED:

DIMENSIONS ARE IN INCHES
TOLERANCES:
FRACTIONAL ± 1/8
TWO PLACE DECIMAL ±.18
THREE PLACE DECIMAL ±.125

SIZE

A

DRAWN BY: RAD

DATE: 1/7/2015

REV

4

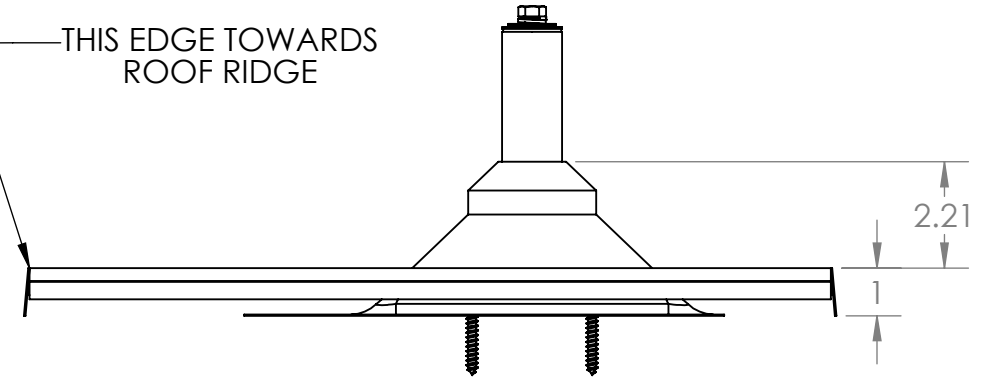
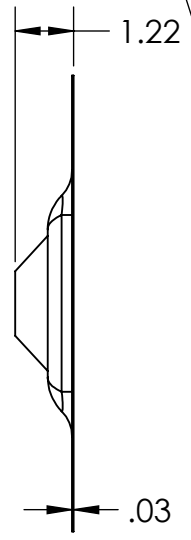
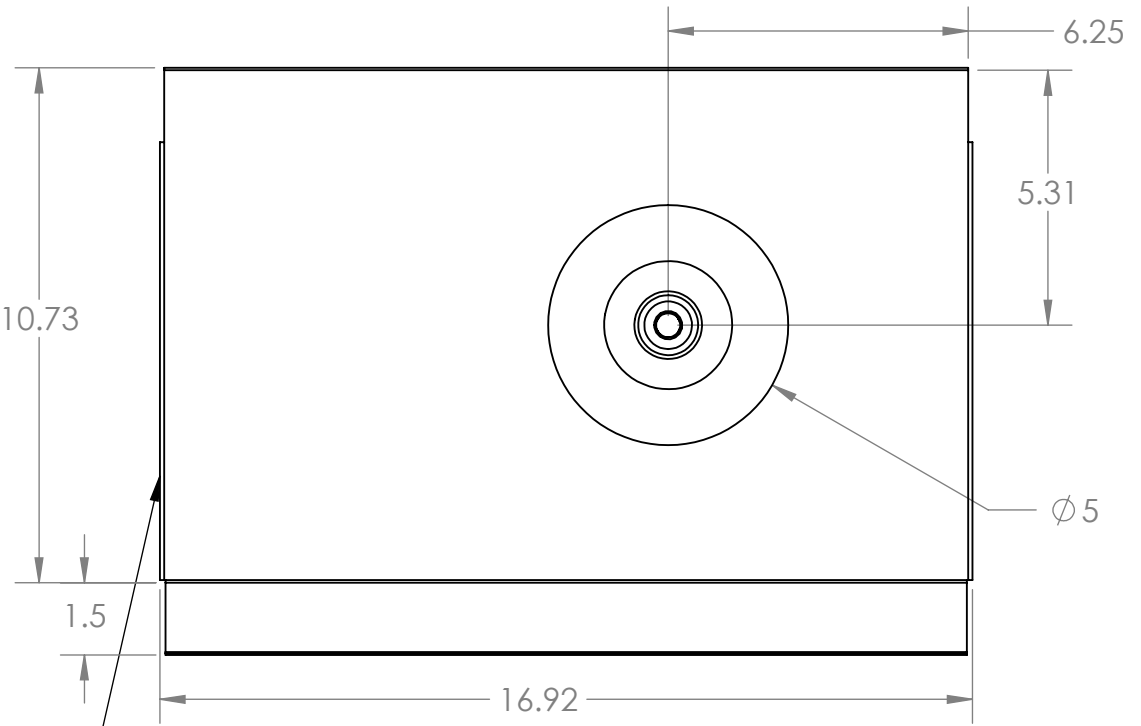
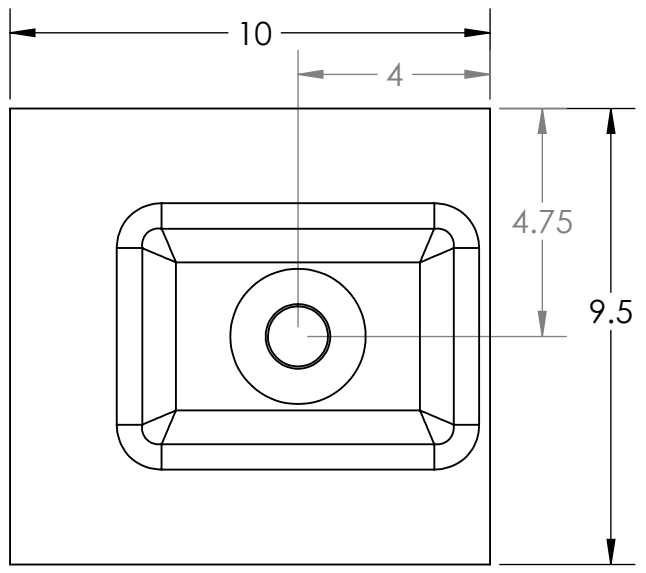
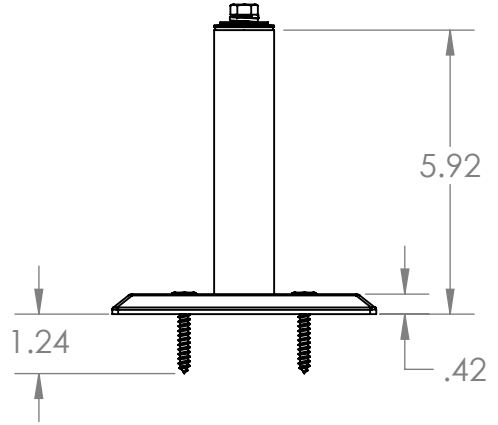
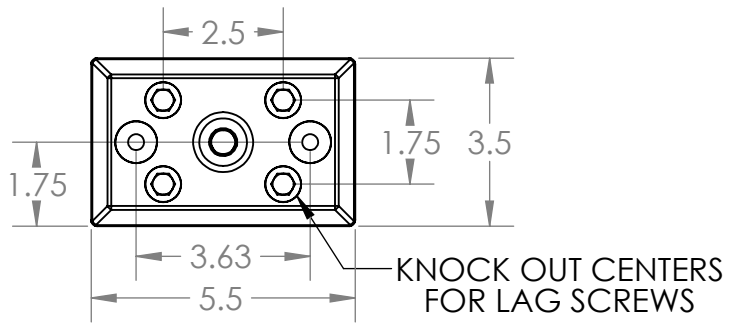
SCALE: 1:4

WEIGHT: 2.255

SHEET 1 OF 2

PROPRIETARY AND CONFIDENTIAL
THE INFORMATION CONTAINED IN THIS DRAWING IS THE SOLE PROPERTY OF QUICK MOUNT PV. ANY REPRODUCTION IN PART OR AS
A WHOLE WITHOUT THE WRITTEN PERMISSION OF QUICK MOUNT PV IS PROHIBITED.

DO NOT SCALE DRAWING



"Controlled Document
Do Not Copy" SC

Quick Mount PV[®]

TITLE:
QMFTM: SPECIALTY FLAT TILE
MOUNT

| | | | |
|---|----------|----------------|--------------|
| UNLESS OTHERWISE SPECIFIED: DIMENSIONS ARE IN INCHES TOLERANCES: FRACTIONAL ± 1/8 TWO PLACE DECIMAL ±.18 THREE PLACE DECIMAL ±.125 | SIZE | DRAWN BY: RAD | REV |
| | A | DATE: 1/7/2015 | 4 |
| SCALE: 1:4 | | WEIGHT: 2.255 | SHEET 2 OF 2 |

PROPRIETARY AND CONFIDENTIAL
THE INFORMATION CONTAINED IN THIS DRAWING IS THE SOLE PROPERTY OF QUICK MOUNT PV. ANY REPRODUCTION IN PART OR AS A WHOLE WITHOUT THE WRITTEN PERMISSION OF QUICK MOUNT PV IS PROHIBITED.

DO NOT SCALE DRAWING